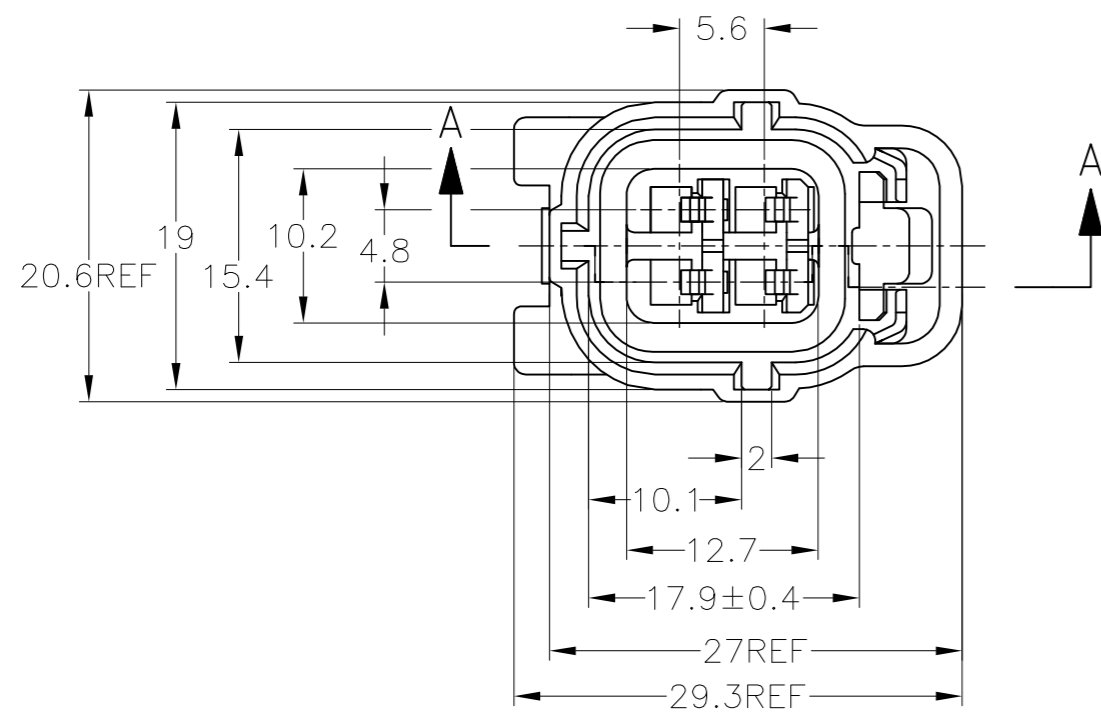
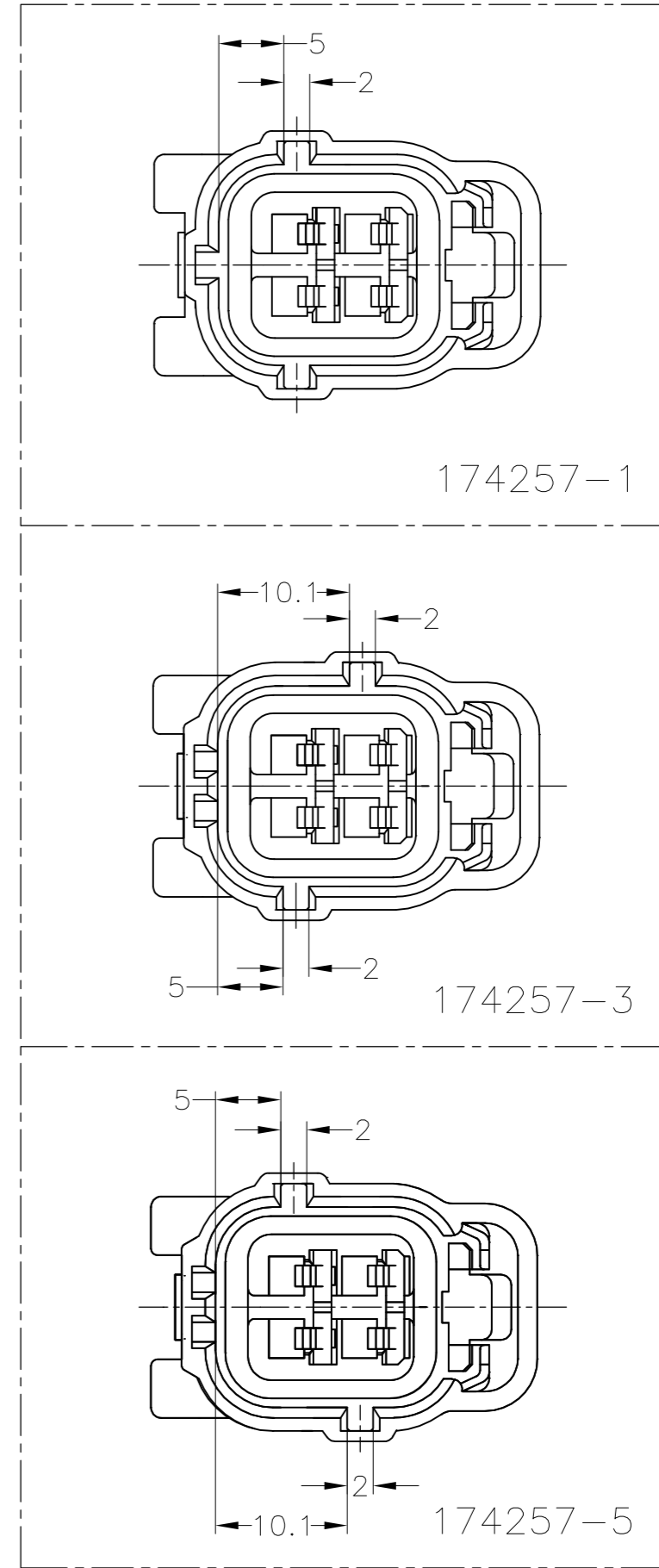
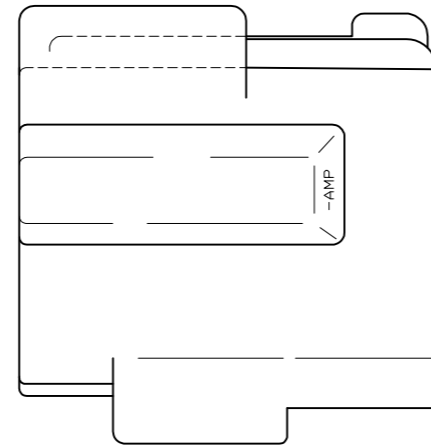
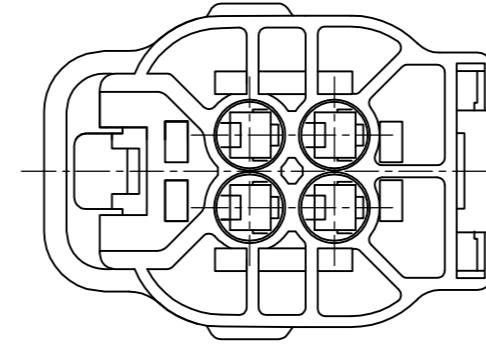
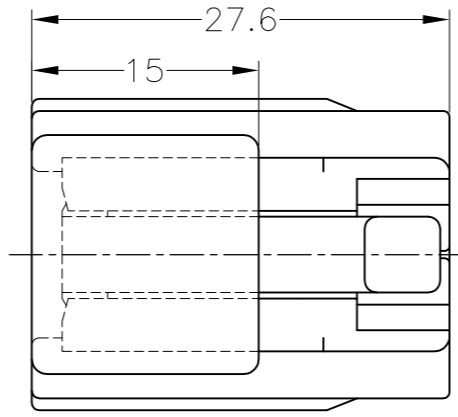
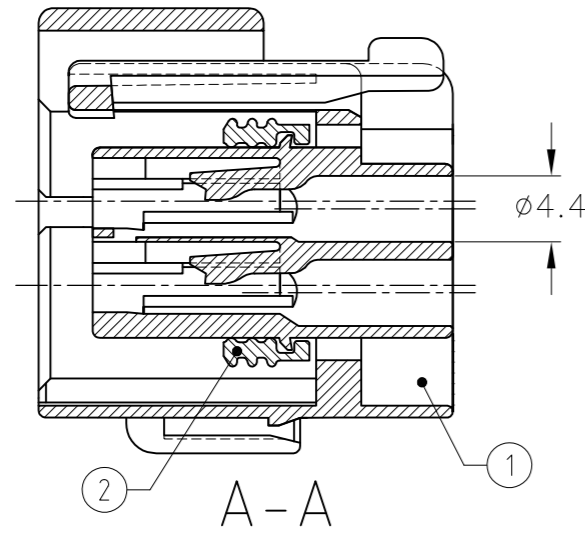


THIS DRAWING IS UNPUBLISHED. RELEASED FOR PUBLICATION
 © COPYRIGHT - By - ALL RIGHTS RESERVED.

LOC	DIST	REVISIONS				
		P	LTR	DATE	DWN	APVD
J	-	F1	REVISED PER ECO-11-005140	28MAR11	RK	HMR



174257-2, 1-174257-2



1. 嵌合相手型番: 174259, 173915
2. 本品はプラグハウジング単体にシールリングがアッセンブリされたものである。
3. 本品はダブルロックプレート型番 174258を装着して使用する。

1. FOR CAP HOUSING PN 174259, 173915
2. THIS PART IS COMPOSED OF PLUG HOUSING AND SEAL RING
3. THIS PART MUST BE USED WITH DOUBLE LOCK PLATE PN 174258

SUPERSEDED BY 174257-NTC		MATERIAL / COLOR	PART NUMBER
SILICON / BLACK	PBT / BROWN		174257-5
SILICON / BLACK	PBT / BLACK		174257-4
SILICON / BLACK	PBT / DARK GRAY		174257-3
NBR / GRAY	PBT / BLACK		1-174257-2
SILICON / BLACK	PBT / BLACK		174257-2
SILICON / BLACK	PBT / GRAY		174257-1
② SEAL RING	① PLUG HOUSING		

THIS DRAWING IS A CONTROLLED DOCUMENT.		DWN T.SHINOHARA 09FEB04	TE Connectivity	
DIMENSIONS: 単位: 寸 mm		CHK K.BETSUI 09FEB04	NAME 4Pos. ECONOSEAL J-MARKII+ CONNECTOR PLUG HOUSING	
TOLERANCES UNLESS OTHERWISE SPECIFIED: 一般公差		APVD K.BETSUI 09FEB04	DRAWING NO. 174257	
0 < x ≤ 10 : ±0.2		PRODUCT SPEC 製品規格 108-5262	SIZE A2	CAGE CODE 00779
10 < x ≤ 30 : ±0.25		APPLICATION SPEC 取付適用規格 114-5082	SCALE 2:1	SHEET 1 of 2
30 < x ≤ 100 : ±0.3		MATERIAL 材料 SEE TABLE	WEIGHT 7.9g	REV F1
ANGLE 角度 : ±3°		FINISH 仕上 -	CUSTOMER DRAWING	